



Part number

# MHP 10 LS20



## Brief description:

surface mounting housings with single lever, size "57.27", metal cover, M20, metal version, IP65

Product description		Approvals / Standards	
Version	metal version	Quality mark	 (type:4/4X/12),  , EAC
Series	surface mounting housings with single lever	Conformity	CQC, CE
Product type	with 1 lever	General ordering information	
Variant	metal cover	EAN13 code	8015747054270
Family	CLASS enclosures	Tariff number	85369095
Size	size "57.27"	Packaging Information	
Technical data		Packaging length	475,00 mm
Material	metal	Packaging height	170,00 mm
IP degree of protection	IP65	Packaging width	150,00 mm
Cable entry	M20	Packaging weight	3,18 kg
Further technical details		Packaging volume	12,11 dm <sup>3</sup>
Weight	318,00 g	Packaging description	Carton box
		Packaging quantity	10 Pcs
		Packaging EAN code	8015747054287
		Sub-packaging weight	1,59 kg
		Sub-packaging description	Plastic pakaging
		Sub-packaging quantity	5 Pcs
		Sub-packaging EAN barcode	8015747054294

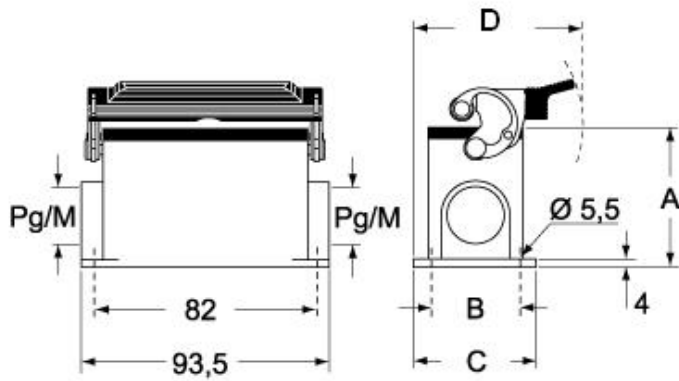
Part number

# MHP 10 LS20



Catalogue drawings

**CHP L - CAP L MHP L - MAP L**



**CHP LS - CAP LS MHP LS - MAP LS**

